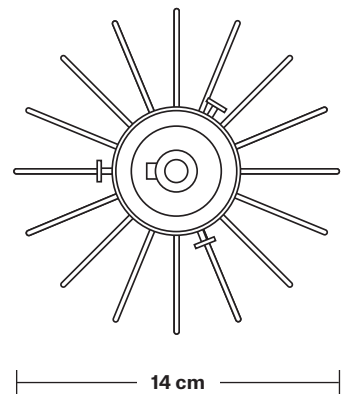
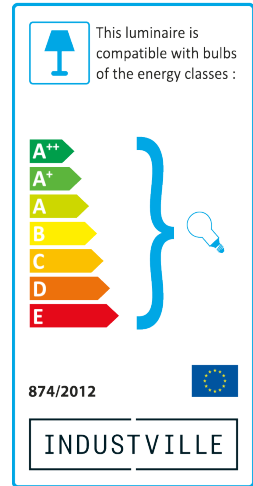
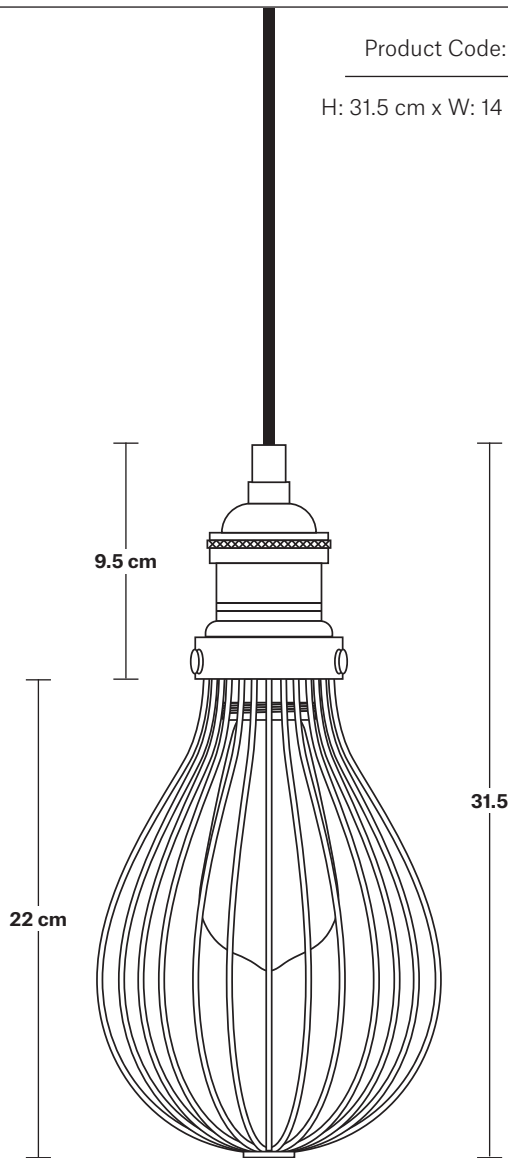


# Brooklyn Balloon Cage Pendant - 6 Inch

Product Code: BR-BCP6

H: 31.5 cm x W: 14 cm x D: 14 cm



## SPECIFICATIONS

We meet all UK and EU lighting and safety regulations.

Our products are hand finished to ensure an authentic vintage look and therefore they may vary slightly from those shown in the images.

**Bulb required:** Standard screw (E27) fitting, max 40W.

**Shade weight:** 0.25 kg | **Holder weight:** 0.5 kg

**Maximum weight:** 0.75 kg

## INFORMATION

**Finishes:** Pewter and Copper.

Ready to be installed, installation required.

Wall mount screws not included.

**Holders available:** Brass, Pewter and Copper.

**Flex:** 1m Black Round Fabric Flex.

**Ceiling rose:** Pewter.

## DIMENSIONS

Shade Diameter: 14 cm / 5.5"

Shade Height (no holder): 22 cm / 8.6"

Holder Diameter: 6 cm / 2.5"

Holder Height: 11 cm / 4.3"

Ceiling Rose Diameter: 12 cm / 4.9"

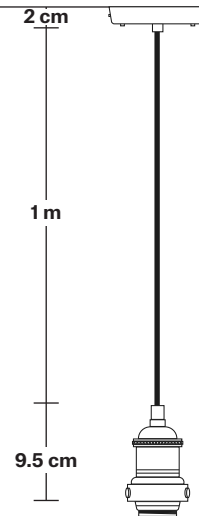
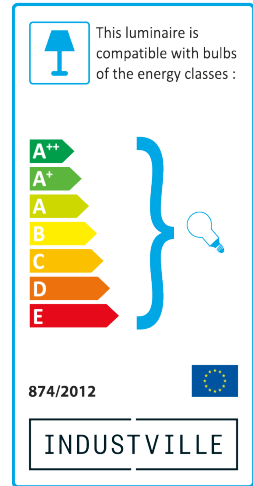
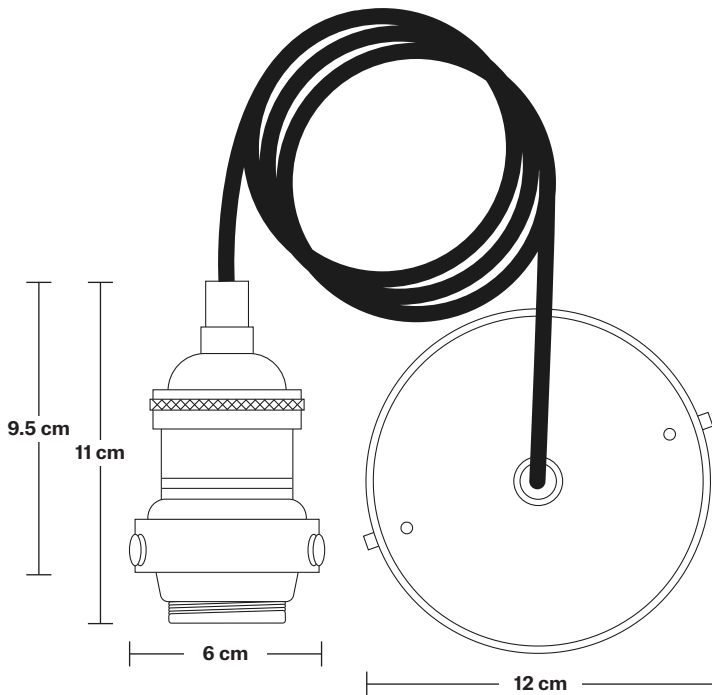
Ceiling Rose Height: 2 cm / 0.8"

INDUSTVILLE

# Brooklyn Cord Set ES E27 Bulb Holder

Product Code: BR-CS

H: 113 cm x W: 12 cm x D: 12 cm



## SPECIFICATIONS

We meet all UK and EU lighting and safety regulations.

Our products are hand finished to ensure an authentic vintage look and therefore they may vary slightly from those shown in the images.

**Bulb required:** Standard screw (E27) fitting, max 40W.

**Weight:** 0.5 kg

## INFORMATION

**Finishes:** Brass, Pewter and Copper.

Ready to be installed, installation required.

Wall mount screws not included.

**Flex:** 1m Black Round Fabric Flex.

**Ceiling rose:** Pewter.

## DIMENSIONS

Bulb Holder Diameter: 6 cm / 2.5"

Bulb Holder Height: 11 cm / 4.3"

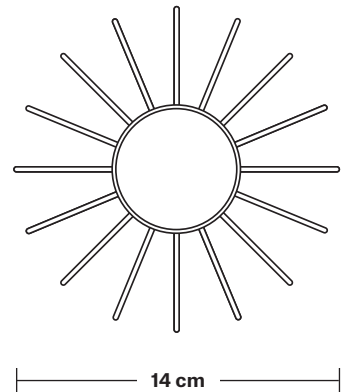
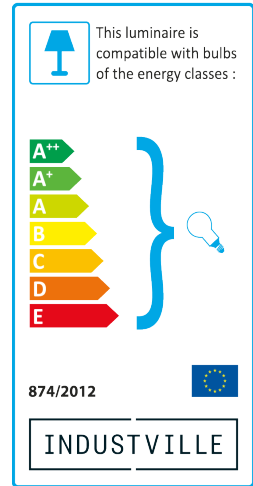
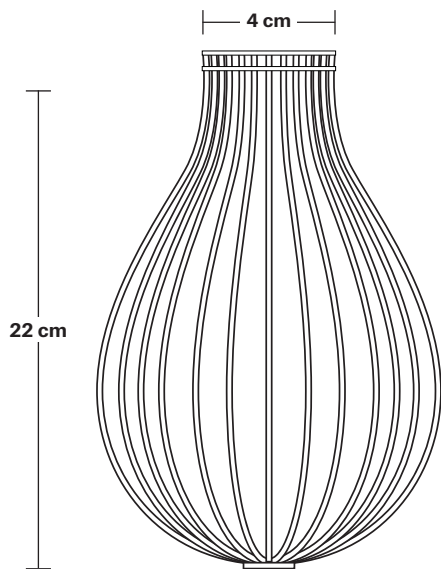
Ceiling Rose height: 12 cm / 4.9"

Full Drop: 113 cm / 44.5"

# Balloon Cage - 6 Inch - Shade Only

Product Code:BC6-SO

H: 22 cm x W: 14 cm x D: 14 cm



## SPECIFICATIONS

We meet all UK and EU lighting and safety regulations.

Our products are hand finished to ensure an authentic vintage look and therefore they may vary slightly from those shown in the images.

**Bulb required:** Standard screw (E27) fitting, max 40W.

**Shade weight:** 0.25 kg

## INFORMATION

**Finishes:** Pewter and Copper.

Ready to be installed, installation required.

Wall mount screws not included.

## DIMENSIONS

Shade Diameter: 14 cm / 5.5"

Shade Height (no holder): 22 cm / 8.6"

# Balloon Cage - 6 Inch - Pewter

## Shade Only

---

Balloon Cage - 6 Inch - Pewter - Shade Only	<b>BC6-P-SO</b>
---	-----------------

---

## Brooklyn Balloon Cage Pendant - 6 Inch - Pewter

---

Brooklyn Balloon Cage Pendant - 6 Inch - Pewter - Brass Holder	<b>BR-BCP6-P-BH</b>
--	---------------------

---

Brooklyn Balloon Cage Pendant - 6 Inch - Pewter - Pewter Holder	<b>BR-BCP6-P-PH</b>
---	---------------------

---

Brooklyn Balloon Cage Pendant - 6 Inch - Pewter - Copper Holder	<b>BR-BCP6-P-CH</b>
---	---------------------

---

## Brooklyn Balloon Cage Flush Mount - 6 Inch - Pewter

---

Brooklyn Balloon Cage Flush Mount - 6 Inch - Pewter - Brass Holder	<b>BR-BCFM6-P-BH</b>
--	----------------------

---

Brooklyn Balloon Cage Flush Mount - 6 Inch - Pewter - Pewter Holder	<b>BR-BCFM6-P-PH</b>
---	----------------------

---

Brooklyn Balloon Cage Flush Mount - 6 Inch - Pewter - Copper Holder	<b>BR-BCFM6-P-CH</b>
---	----------------------

---

## Brooklyn Balloon Cage Wall Light - 6 Inch - Pewter

---

Brooklyn Balloon Cage Wall Light - 6 Inch - Pewter - Brass Holder	<b>BR-BCWL6-P-BH</b>
---	----------------------

---

Brooklyn Balloon Cage Wall Light - 6 Inch - Pewter - Pewter Holder	<b>BR-BCWL6-P-PH</b>
--	----------------------

---

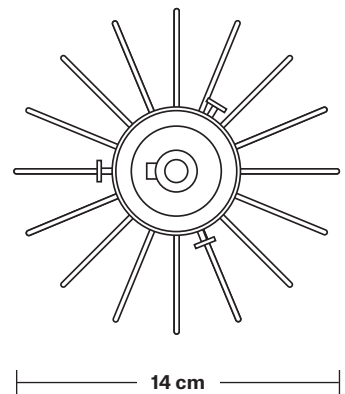
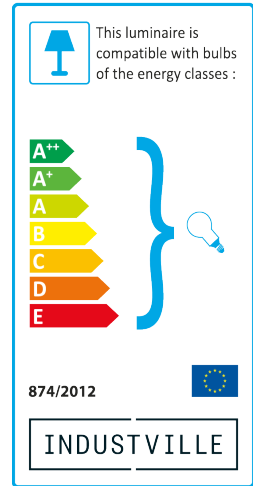
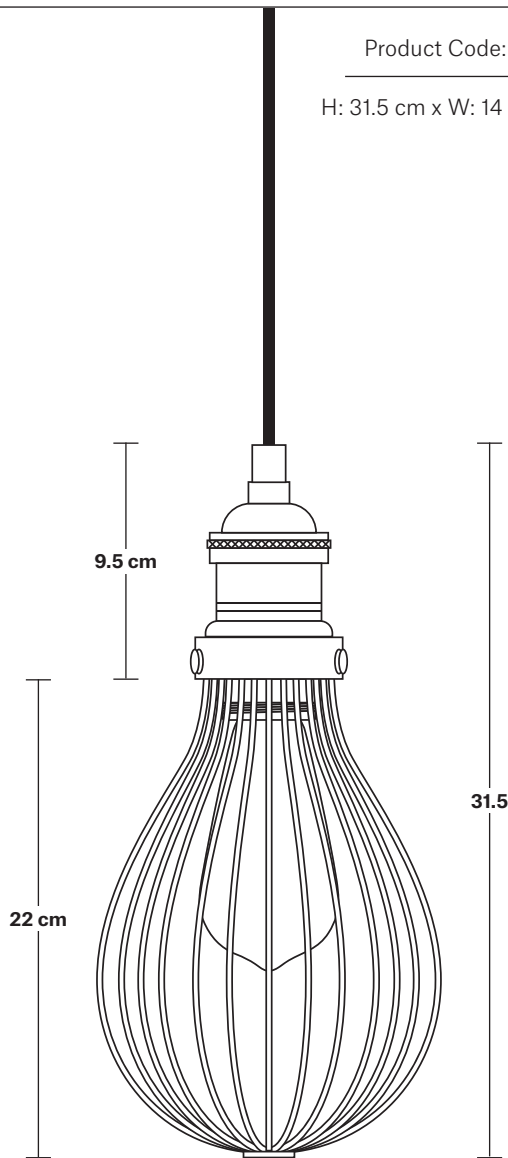
Brooklyn Balloon Cage Wall Light - 6 Inch - Pewter - Copper Holder	<b>BR-BCWL6-P-CH</b>
--	----------------------

---

# Brooklyn Balloon Cage Pendant - 6 Inch

Product Code: BR-BCP6

H: 31.5 cm x W: 14 cm x D: 14 cm



## SPECIFICATIONS

We meet all UK and EU lighting and safety regulations.

Our products are hand finished to ensure an authentic vintage look and therefore they may vary slightly from those shown in the images.

**Bulb required:** Standard screw (E27) fitting, max 40W.

**Shade weight:** 0.25 kg | **Holder weight:** 0.5 kg

**Maximum weight:** 0.75 kg

## INFORMATION

**Finishes:** Pewter and Copper.

Ready to be installed, installation required.

Wall mount screws not included.

**Holders available:** Brass, Pewter and Copper.

**Flex:** 1m Black Round Fabric Flex.

**Ceiling rose:** Pewter.

## DIMENSIONS

Shade Diameter: 14 cm / 5.5"

Shade Height (no holder): 22 cm / 8.6"

Holder Diameter: 6 cm / 2.5"

Holder Height: 11 cm / 4.3"

Ceiling Rose Diameter: 12 cm / 4.9"

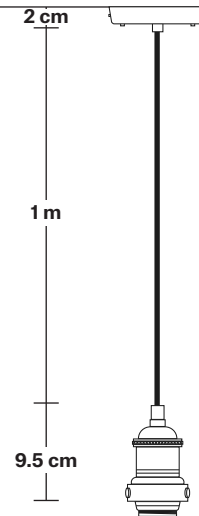
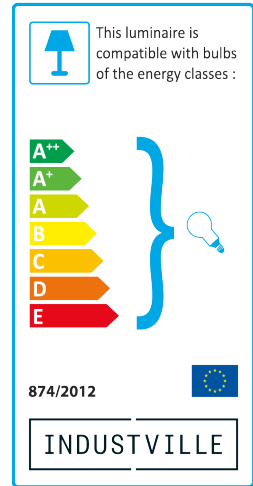
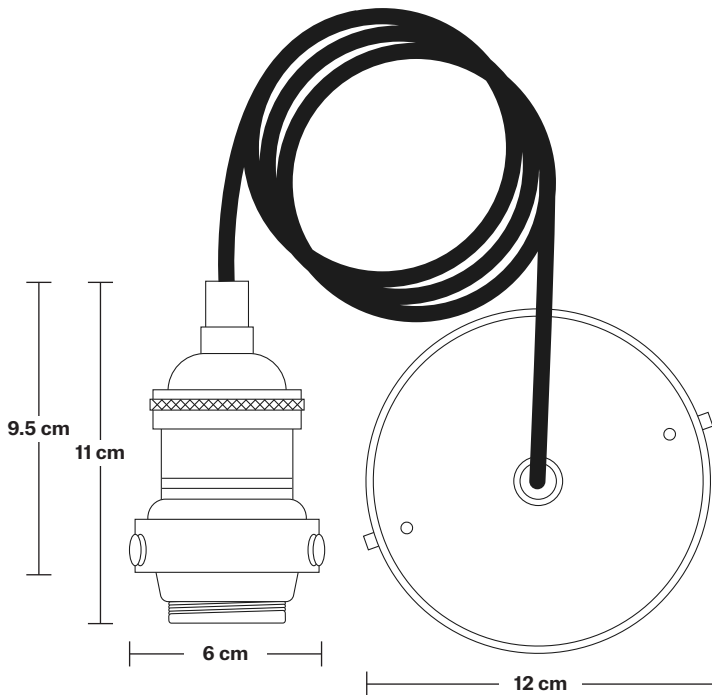
Ceiling Rose Height: 2 cm / 0.8"

INDUSTVILLE

# Brooklyn Cord Set ES E27 Bulb Holder

Product Code: BR-CS

H: 113 cm x W: 12 cm x D: 12 cm



## SPECIFICATIONS

We meet all UK and EU lighting and safety regulations.

Our products are hand finished to ensure an authentic vintage look and therefore they may vary slightly from those shown in the images.

**Bulb required:** Standard screw (E27) fitting, max 40W.

**Weight:** 0.5 kg

## INFORMATION

**Finishes:** Brass, Pewter and Copper.

Ready to be installed, installation required.

Wall mount screws not included.

**Flex:** 1m Black Round Fabric Flex.

**Ceiling rose:** Pewter.

## DIMENSIONS

Bulb Holder Diameter: 6 cm / 2.5"

Bulb Holder Height: 11 cm / 4.3"

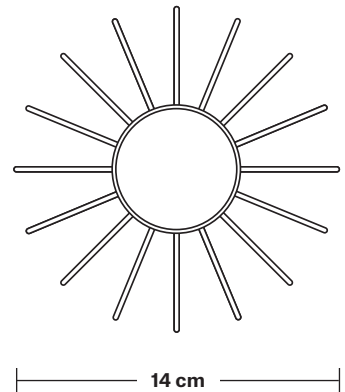
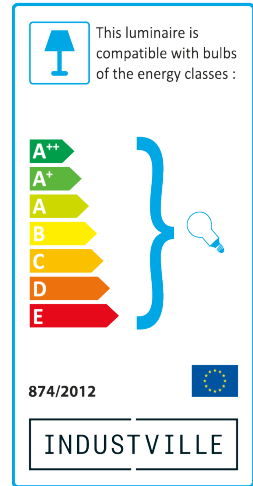
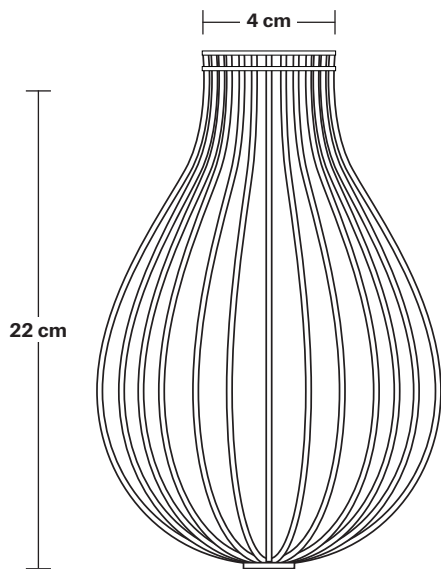
Ceiling Rose height: 12 cm / 4.9"

Full Drop: 113 cm / 44.5"

# Balloon Cage - 6 Inch - Shade Only

Product Code:BC6-SO

H: 22 cm x W: 14 cm x D: 14 cm



## SPECIFICATIONS

We meet all UK and EU lighting and safety regulations.

Our products are hand finished to ensure an authentic vintage look and therefore they may vary slightly from those shown in the images.

**Bulb required:** Standard screw (E27) fitting, max 40W.

**Shade weight:** 0.25 kg

## INFORMATION

**Finishes:** Pewter and Copper.

Ready to be installed, installation required.

Wall mount screws not included.

## DIMENSIONS

Shade Diameter: 14 cm / 5.5"

Shade Height (no holder): 22 cm / 8.6"

# Balloon Cage - 6 Inch - Copper

---

## Shade Only

---

Balloon Cage - 6 Inch - Copper - Shade Only

**BC6-C-SO**

---

## Brooklyn Balloon Cage Pendant - 6 Inch - Copper

---

Brooklyn Balloon Cage Pendant - 6 Inch - Copper - Pewter Holder

**BR-BCP6-C-PH**

---

Brooklyn Balloon Cage Pendant - 6 Inch - Copper - Copper Holder

**BR-BCP6-C-CH**

---

## Brooklyn Balloon Cage Flush Mount - 6 Inch - Copper

---

Brooklyn Balloon Cage Flush Mount - 6 Inch - Copper - Pewter Holder

**BR-BCFM6-C-PH**

---

Brooklyn Balloon Cage Flush Mount - 6 Inch - Copper - Copper Holder

**BR-BCFM6-C-CH**

---

## Brooklyn Balloon Cage Wall Light - 6 Inch - Copper

---

Brooklyn Balloon Cage Wall Light - 6 Inch - Copper - Pewter Holder

**BR-BCWL6-C-PH**

---

Brooklyn Balloon Cage Wall Light - 6 Inch - Copper - Copper Holder

**BR-BCWL6-C-CH**

---