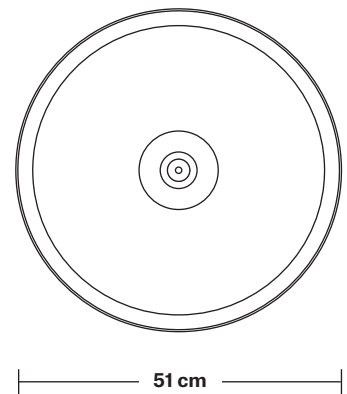
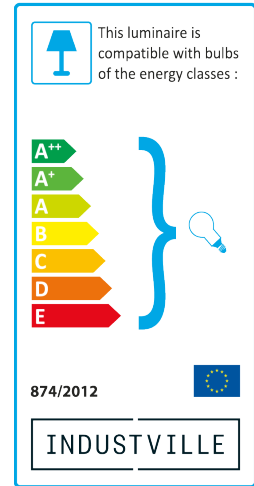
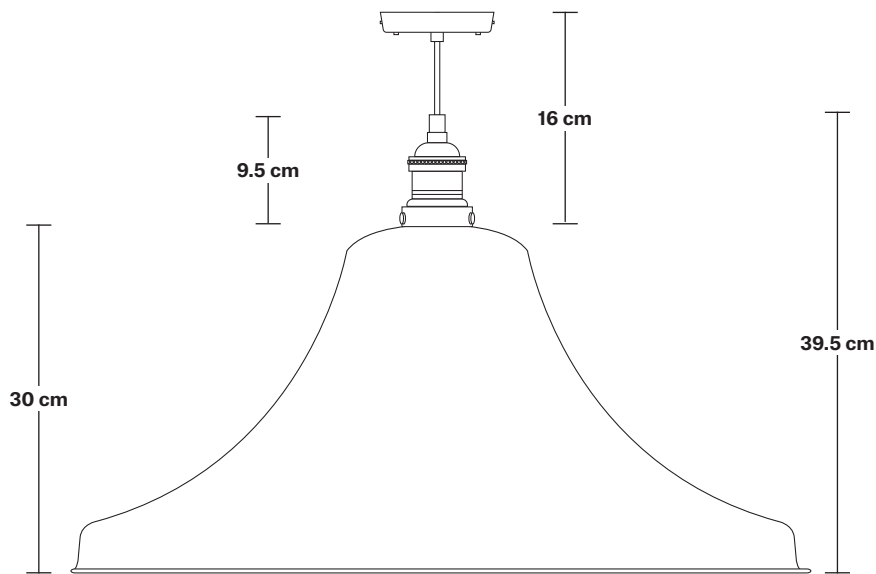


Brooklyn Giant Bell Flush Mount - 20 Inch

Product Code: BR-GBFM20

H: 39.5 cm x W: 51 cm x D: 51 cm



SPECIFICATIONS

We meet all UK and EU lighting and safety regulations.

Our products are hand finished to ensure an authentic vintage look and therefore they may vary slightly from those shown in the images.

Bulb required: Standard screw (E27) fitting, max 40W.

Shade weight: 1.8kg | **Holder weight:** 0.5 kg

Maximum weight: 2.3 kg

INFORMATION

Finishes: Brass and Pewter.

Ready to be installed, installation required.

Wall mount screws not included.

Holders available: Brass, Pewter, Copper and Pewter Chain Holder.

Holder mount: Pewter.

DIMENSIONS

Shade Diameter: 51 cm / 20"

Shade Height (no holder): 30 cm / 11.8"

Holder Diameter: 6 cm / 2.5"

Holder Height: 18 cm / 7.1"

Ceiling Rose Diameter: 12 cm / 4.9"

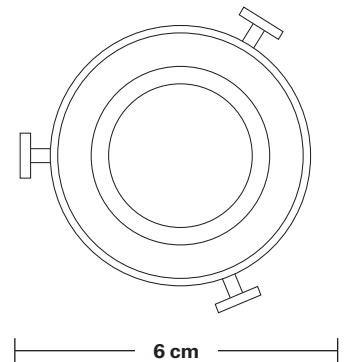
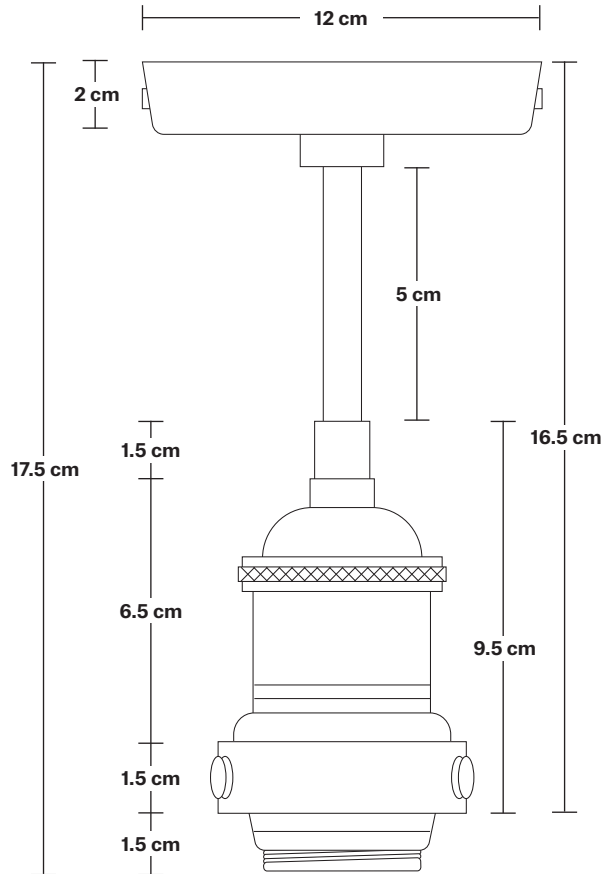
Ceiling Rose Height: 2 cm / 0.8"

INDUSTVILLE

Brooklyn Flush Mount Holder

Product Code: BR-FM

H: 17.5 cm x W: 12 cm x D: 12 cm



SPECIFICATIONS

We meet all UK and EU lighting and safety regulations.

Our products are hand finished to ensure an authentic vintage look and therefore they may vary slightly from those shown in the images.

Bulb required: Standard screw (E27) fitting, max 40W.

Weight: 0.5 kg

INFORMATION

Finishes: Brass, Pewter and Copper.

Ready to be installed, installation required.

Wall mount screws not included.

Ceiling rose: Pewter.

DIMENSIONS

Holder Diameter: 12 cm / 4.7"

Holder Height: 17.5 cm / 6.9"

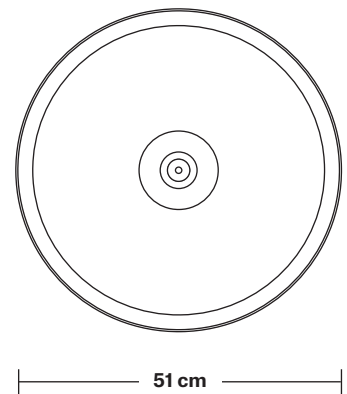
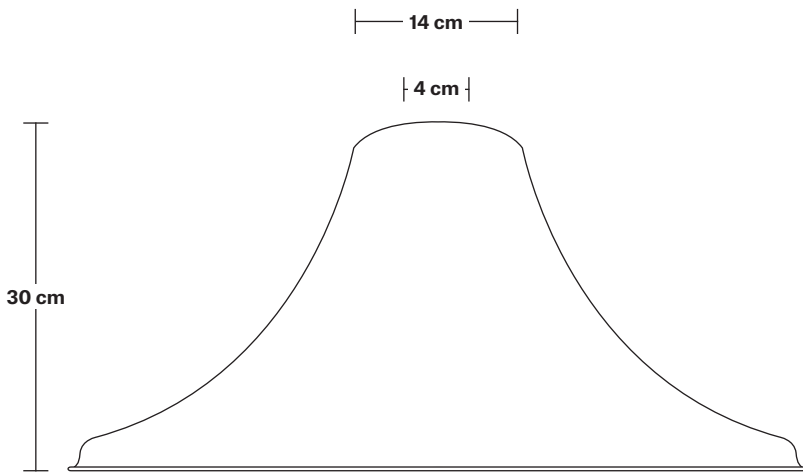
Ceiling Rose Diameter: 12 cm / 4.7"

Ceiling Rose Depth: 2 cm / 0.8"

Giant Bell - 20 Inch - Shade Only

Product Code: GBL20-SO

H: 30 cm x W: 51 cm x D: 51 cm



SPECIFICATIONS

We meet all UK and EU lighting and safety regulations.

Our products are hand finished to ensure an authentic vintage look and therefore they may vary slightly from those shown in the images.

Bulb required: Standard screw (E27) fitting, max 40W.

Shade weight: 1.8kg

INFORMATION

Finishes: Brass and Pewter.

Ready to be installed, installation required.

Wall mount screws not included.

DIMENSIONS

Shade Diameter: 51 cm / 20"

Shade Height (no holder): 30 cm / 11.8"

Giant Bell - 20 Inch - Brass

Shade Only

Giant Bell - 20 Inch - Brass - Shade Only	GBL20-B-SO
---	-------------------

Brooklyn Giant Bell Pendant - 20 Inch - Brass

Brooklyn Giant Bell Pendant - 20 Inch - Brass - Brass Holder	BR-GBLP20-B-BH
--	-----------------------

Brooklyn Giant Bell Pendant - 20 Inch - Brass - Pewter Holder	BR-GBLP20-B-PH
---	-----------------------

Brooklyn Giant Bell Pendant - 20 Inch - Brass - Pewter Chain Holder	BR-GBLP20-B-PCN
---	------------------------

Brooklyn Giant Bell Flush Mount - 20 Inch - Brass

Brooklyn Giant Bell Flush Mount - 20 Inch - Brass - Brass Holder	BR-GBLFM20-B-BH
--	------------------------

Brooklyn Giant Bell Flush Mount - 20 Inch - Brass - Pewter Holder	BR-GBLFM20-B-PH
---	------------------------

Sleek Giant Bell Pendant - 20 Inch - Brass

Sleek Giant Bell Pendant - 20 Inch - Brass - Brass Holder	SL-GBLP20-B-BH
---	-----------------------

Sleek Giant Bell Pendant - 20 Inch - Brass - Pewter Holder	SL-GBLP20-B-PH
--	-----------------------